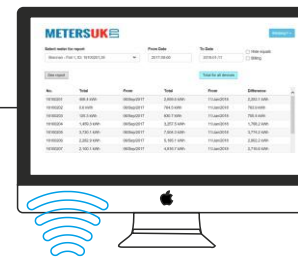


PREPAYMENT METER SYSTEM - 3 PHASE ELECTRIC & WATER

Wiring Schematic

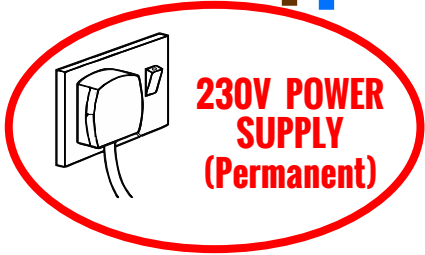
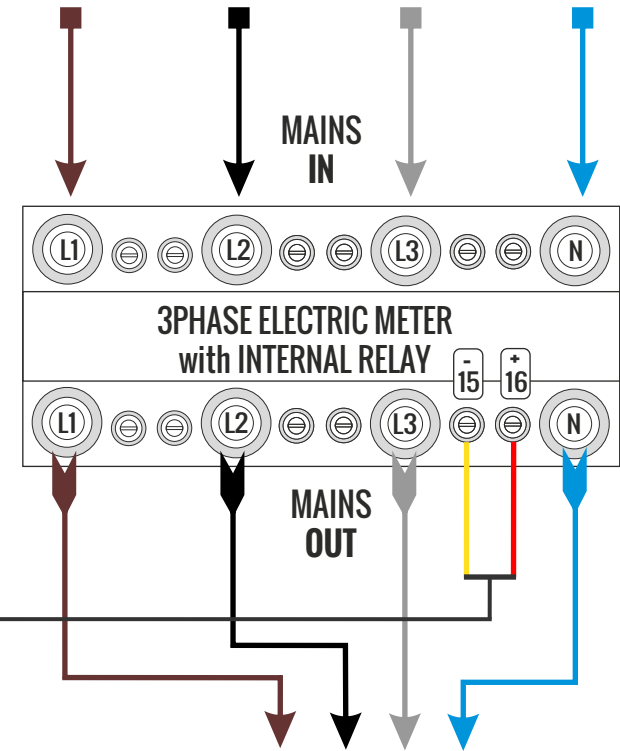
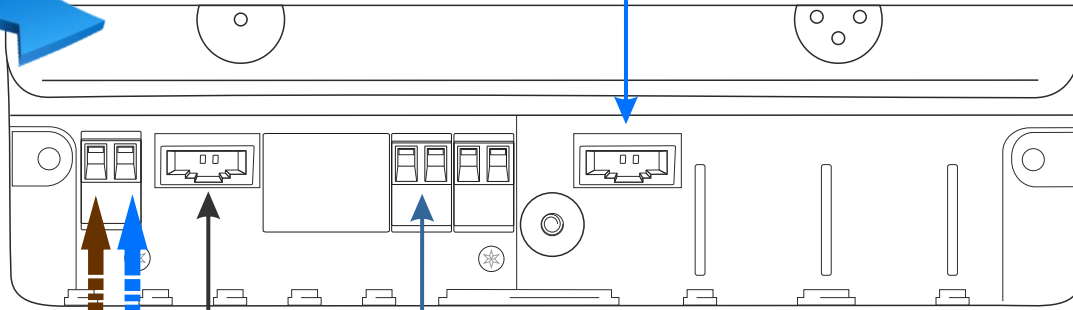
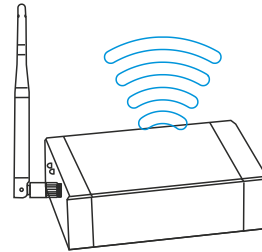
SmartLink45[®]



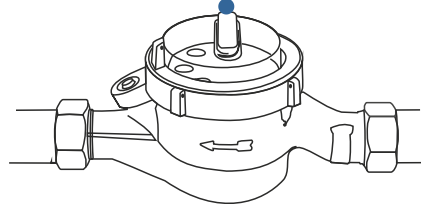
Data shown on web portal



MODEM Transmits Data to the Web Server



Pulse Cable



CONSUMER UNIT

METERSUK