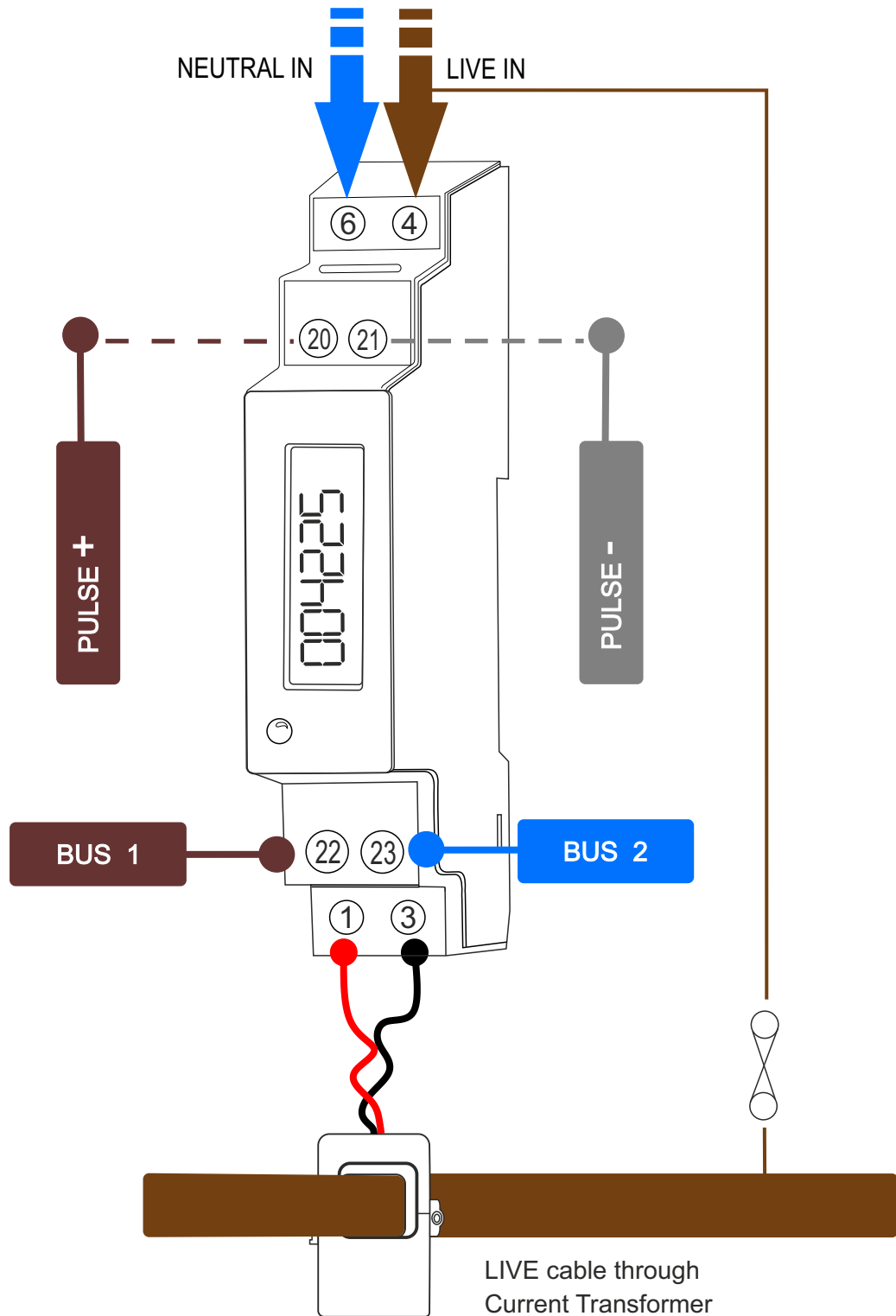


Wiring EM406 M-BUS



230V

1 & 3 = CT (Red (1), Black (3))

4 & 6 = Live & Neutral

20 & 21 = Pulse Cables Set 2000 imp/kWh (20+ | 21 -)

22 & 23 = BUS 1 & BUS 2

