

# The Tiny

## Brief Description

The Tiny is a single phase meter, which provides a cost effective compact solution for many metering applications.

Fully approved in accordance with the Measuring Instruments Directive (MID), this highly accurate, wall mounted meter may be used for billing and monitoring consumption on a single phase supply.



## Features

- Fully MID approved
- Measures Import & Export Active Energy
- Easy-to-read LCD display
- Optical port for configuration or meter reading
- Pulsed Output

## Description

The Tiny single phase meter is one of the worlds most compact metering devices allowing the unit to be used in metering installations where space is at a premium and is ideal for domestic settings such as landlord lettings, solar panels, bedsits, domestic renovations and for basic monitoring of energy. The meter provides measurement of active (kWh) energy in both import and export directions with registers shown on the large easy to read LCD display.

The display features 8×3.5mm characters and can be configured to auto cycle any of the available registers or remain static with only a single register viewable.

The meter features an optical port conforming to IEC 629056-21 allowing meter readings to be collected electronically using a standard probe and software tool. The port also allows configuration of the meter.

The electronic meter is highly reliable and capable of withstanding high voltage events and overcurrent without failure. The meter is resistant to tamper with reverse energy fraud detection and sealing for life. High quality solid brass cable terminals are used allowing 100 Amp operation.

To enable the connection of energy management systems, this meter has an electronic pulsed output. The pulsed output connects onto two auxiliary terminals in the main terminal block.

The meter comes with a full 12 month warranty.

## Technical Data

<b>Electrical</b>	<b>Voltage</b>	Nominal voltage	220V-240V
		Maximum	276V
		Voltage Withstand	415V (max 6hrs)
<b>Frequency</b>	Nominal Frequency	50Hz	
	Frequency variation	5% ±	
<b>Current</b>	Basic Current (Iref)	5, 10, 15 and 20A	
	Maximum (Imax)	100A (140% overcurrent)	
<b>Metrology</b>	<b>Accuracy</b>	Active Energy	Class B (1%), to En50470 1-3

The meter meets the essential requirements of the Measuring Instruments Directive (MID) 2004/22/ec

## Environmental

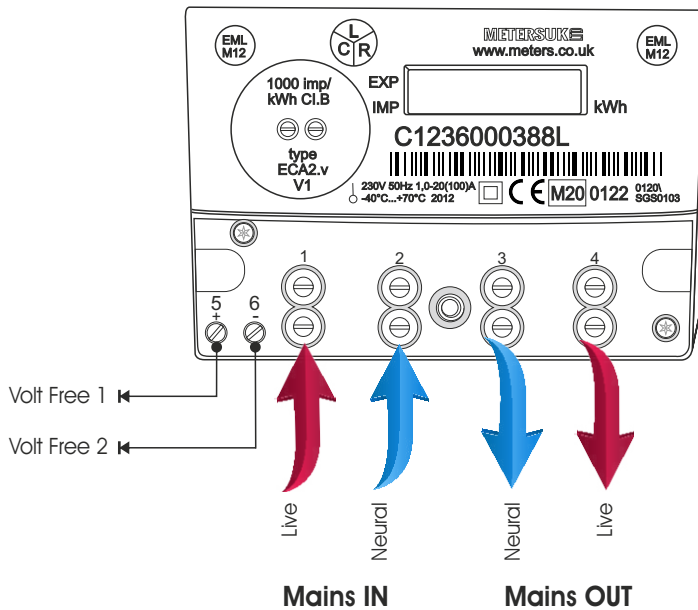
Temperature Range: +40°C to +70°C  
 Ingress protection: Ip52, to BS EN 60529

Meters are intended for installation in a class E2 electromagnetic environment and Class M1 Mechanical environment according to 2004/22/EC Directive

## Physical

Terminal arrangement BS 7856  
 Main terminal size 8.2mm diameter  
 Terminal construction Solid brass

## Wiring



## Dimensions

91H x 125W x 40D

