

Three Phase Credit Meter Current Transformer Operated

Calibrated Instrument

Installation Instructions

Manufactured to ISO EN 1436
Class 2.0
415/230 Volts
50/60 Htz



CE

JG3 – CT

4 Quadrant Programmable
Poly Phase Electronic Meter



Installation & Wiring Diagram

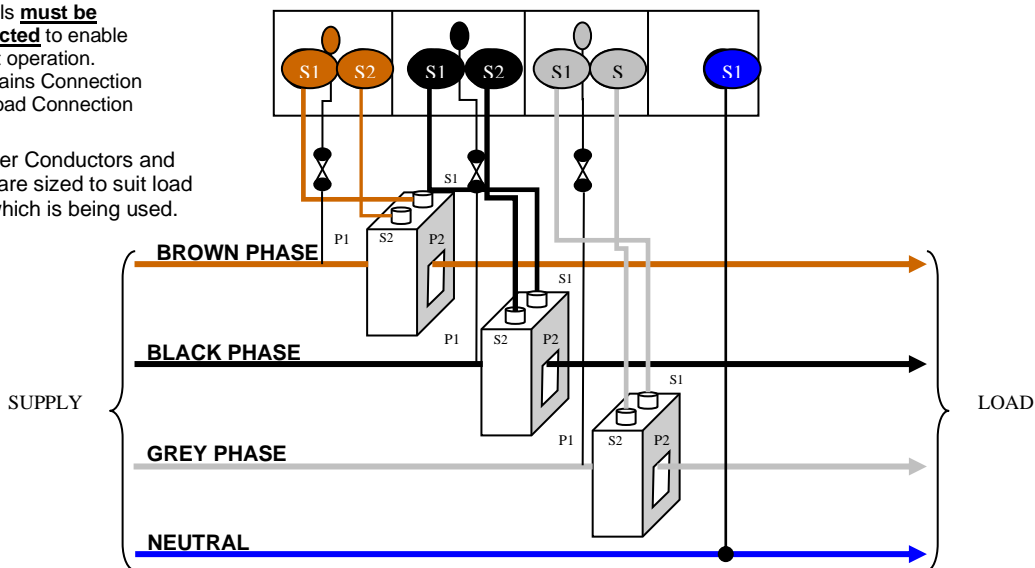
The JG3/CT Credit Meter is designed for wall mounting in a vertical position. It must have a neutral connection, and be wired to current IEE regulations.

JG3 3 Phase KWh Meters Current Transformer Operated

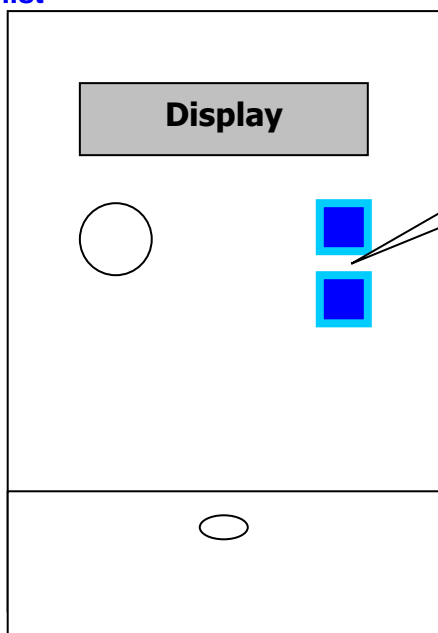
 = fuse. Fuse must be 5 or 6 Amp fuse (And placed before the CT)

Neutrals **must be connected** to enable correct operation.
S1= Mains Connection
S2= Load Connection

All other Conductors and fuses are sized to suit load type which is being used.



Scroll list



Press top button to scroll display

Display 1

Total kWh

Total number of kWh's used – accumulative total – active load

Display 2

Total kVarh

Total number of kVarh used – accumulative total – reactive load

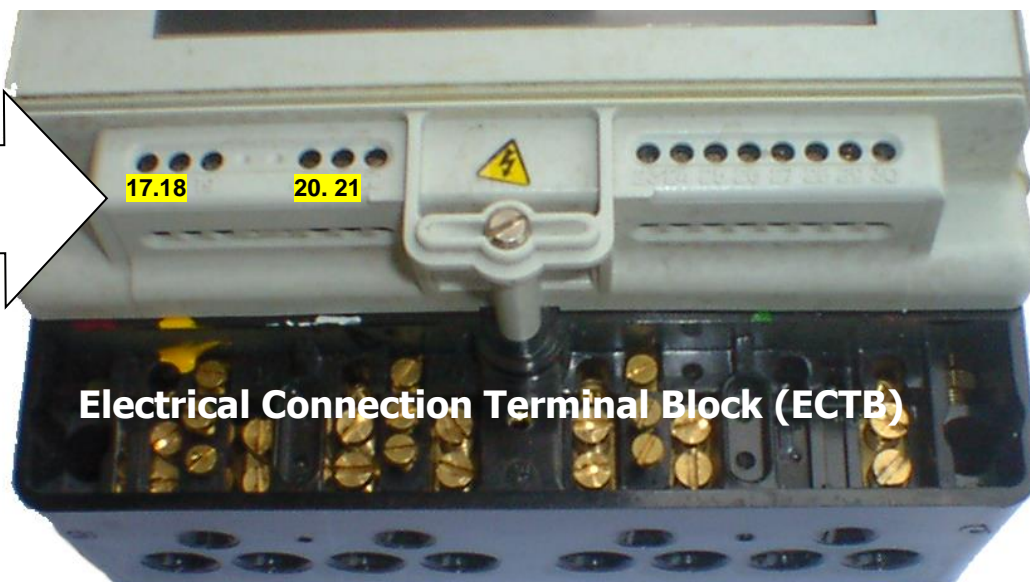


Pulse Terminals – (Where Fitted)

Pulse Value = 100 Pulses per kWh

Location	kWh terminals	17 & 18
	kVarh terminals	20 & 21

Pulse
Terminals



Pulse
Volt Free – Mercury Wetted relays



Installation Tip

Mercury wetted relays – the liquid can stick when laid down flat – give the meter a shake before installation

JG3 Meters

Are an approved Ofgem design and are manufactured to ISOEN1434

EMC Standards

Full compliance meeting generic standard EN50091-2 and immunity standard EN50082-2 for industrial environments

Safety Standard

Complies with EN61010 installation category 11 Pollution degree 2

RoHS & WEE Directives

Compliance with both European directives





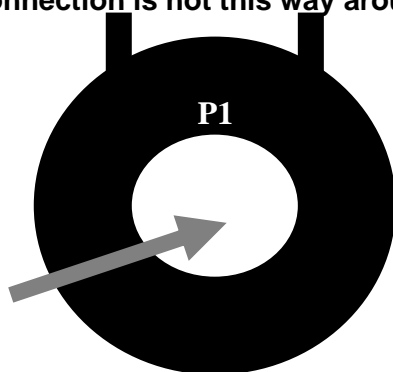
Fault Finding

These LEDs flash when the meter increments



Q1 My meter shows it is pulsing but does not increment

A1 Check you have your cable running through P1 and out of P2 (if the connection is not this way around the meter runs in reverse)



Q2 I have checked my CT's and have wired correctly – But it still doesn't work !

A2 Check to ensure that you have connected a 5 amp supply to your meter BEFORE THE CT's . If they are wired after the meter it will not operate correctly.

Q3 My meters displays a different reading altogether, from the main meter

A3 Check that the main meter displays in the same ratio, sometimes it can be x10