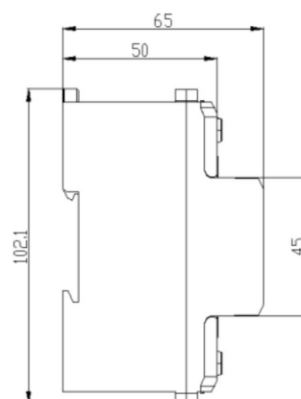
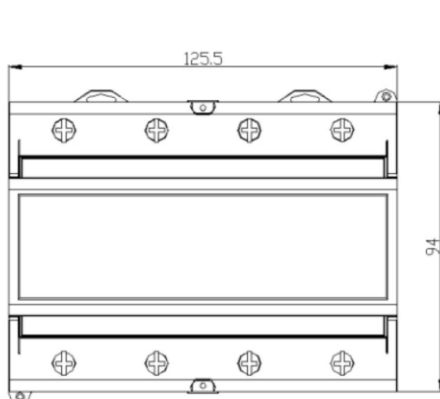


SLR3 Polyphase Meter with Relay

Three Phase Meter with built in relays.

KEY FEATURES

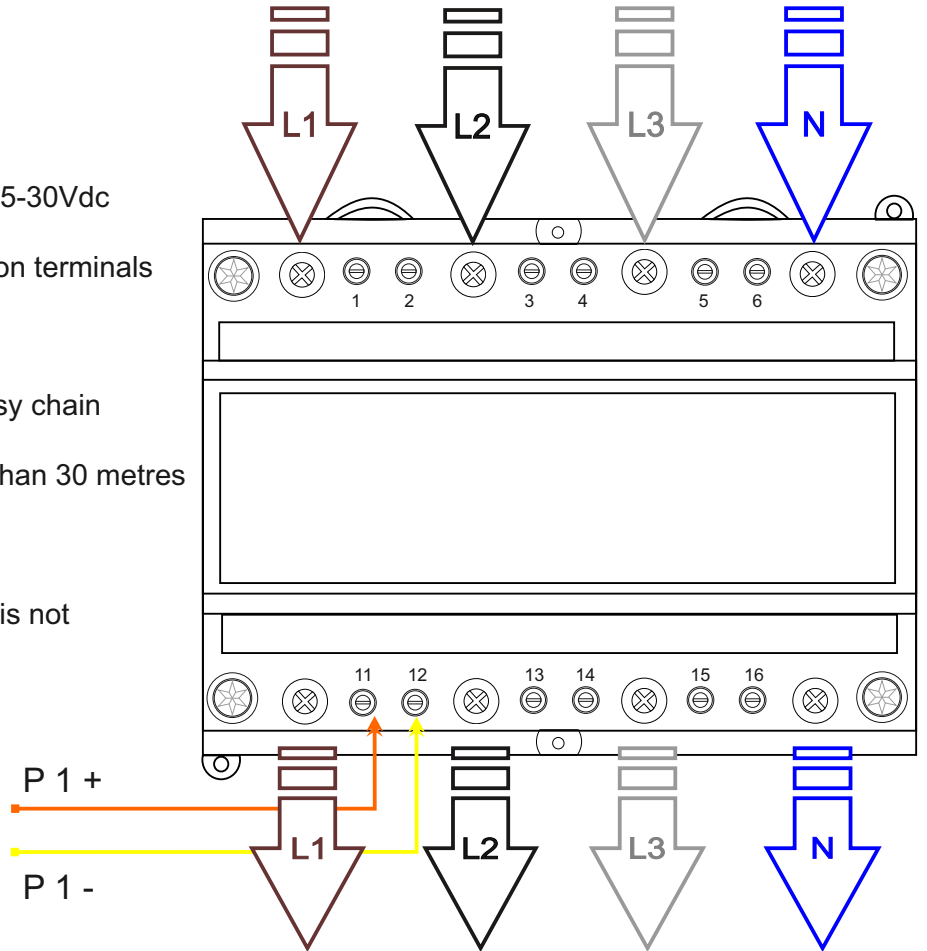
- 35mm DIN rail installation. DIN EN-50022 compliant
- Active power class 1.
- Supports multi-tariff energy metering
- LCD 7 +1 display. (9999999.9kWh) with backlight
- Passive pulse output - standard DIN43864 with pulsed LED output
- Built-in relay
- RS485 port, supporting Modbus
- Supports historical day/month energy readings
- 10 (80)Amp



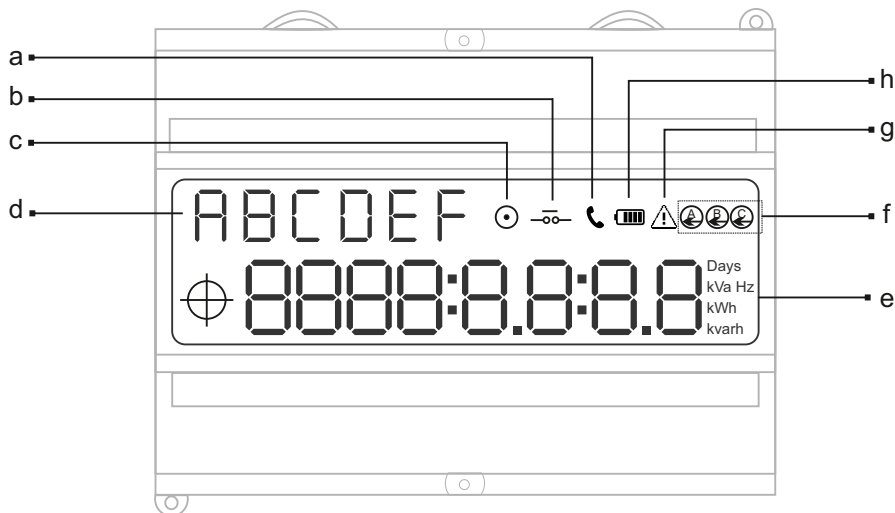
SLR3 Polyphase Meter with Relay

WIRING

- Rate Current: 10(80) A
- The pulse port is passive and psu range is 5-30Vdc
- Terminals 15 & 16 are Rs485 communication terminals
485B : 485 - , 485A : 485+
- The RS485 communication line adopts daisy chain connection. It is advised not to use more than 30 metres on one bus.
The total length of the communication line is not recommended to exceed 800 meters



DISPLAY INDICATORS



- a: Communication Indicator. Flickers with 1Hz frequency when in normal communication.
- b: Built-in relay status
- c: Operation indicator. Flickers with 1Hz frequency when operating
- d: Data type indicator
- e: Value and unit
- f: Three phase reversed-phase indicator
- g: Device Fault indicator
- h: Built-in battery low power indicator

The device panel has a PULSE indicating lamp. The lamp flashes once when there is a pulse output.