

# GOLDi Gas Turbine Meter

## INTRODUCTION

The GOLDi Gas Turbine Flow Meter is a new high precision measuring instrument which has high accuracy and good reliability.

It can measure all kinds of single-phase gas and be widely applied to measure gas in oil, chemical, industry, metallurgy, electric power and combustion gas in cities.

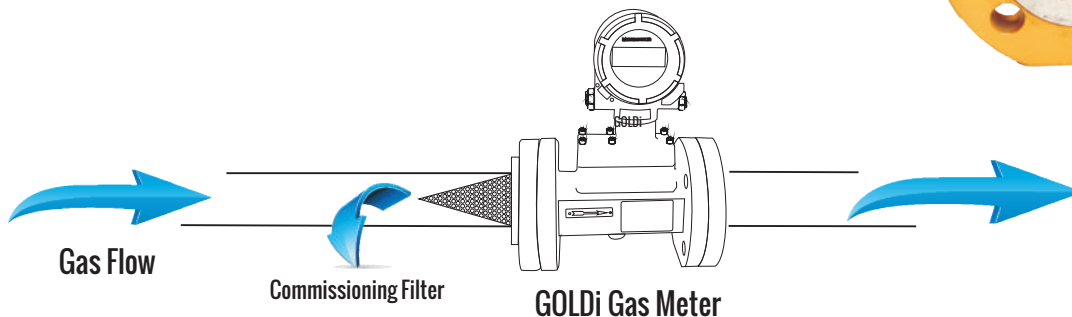
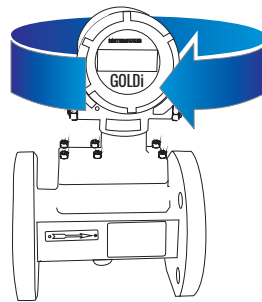
GOLDi Gas Turbine Flow Meter has excellent measuring performance both at low pressure and high pressures and could be applied to measure rapid flow rate gas especially the accurate measurement of the natural gas.



## KEY FEATURES

- 50mm to 200mm flanged to PN16
- High precision and reliability
- Wide measuring scale ratio of 1:20
- 8 Digit Mechanical Counter
- Lightweight Anodized Aluminium Body
- Accuracy  $\pm 1.5\%$
- Manufactured to ISOEN 9951
- Low pressure loss
- Vertical and horizontal installation
- 340° rotating head
- Short, straight pipe run required, 2DN upstream and 1DN downstream
- Pulsed output

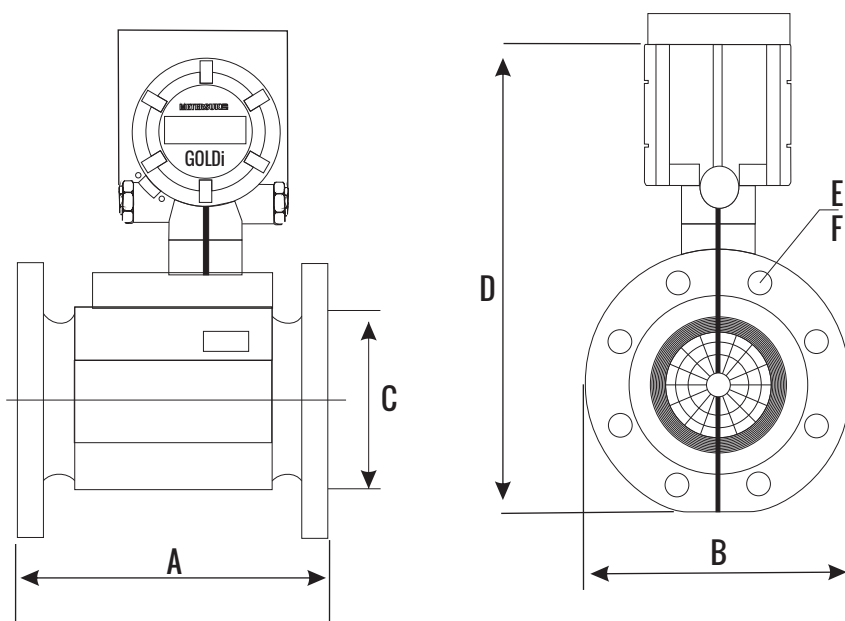
## 340° Rotating Head



## DETAILS

- With permanently lubricated ball bearings
- Standard pulse signal
- Each pulse stands for 1m<sup>3</sup> Standard Value
- Maximum Current = 75 mAmps
- Meter head display battery is 3.6 Volt Lithium, Size C
- Turbine Wheel is high grade stainless steel

## OUTLINE DIMENSIONS



DIMENSIONS IN MM											
MUK CODE	Part No.	SIZE Metric	SIZE BSP	Flow Range (m3/h)	Kg	Fl to Fl (A)	Fl (B)	PCD	Height (D)	(BH) Bolt Holes	Ø F
805800	TGM50(LF) G40	50	2.0'	6 - 65	8	200	165	99	313	4	18
805801	TGM50(LF) G100	50	2.0'	8 - 160	8	200	165	99	313	4	18
805802	TGM80(LF) G100	80	3.0'	8 - 160	14	240	200	132	343	8	18
805803	TGM80(LF) G250	80	3.0'	20 - 400	14	240	200	132	343	8	18
805804	TGM100(LF) G160	100	4.0'	13 - 250	18	300	220	156	361	8	18
805805	TGM100(LF) G400	100	4.0'	32 - 650	18	300	220	156	361	8	18
805806	TGM150(LF) G400	150	6.0'	32 - 650	30	450	285	211	426	8	22
805807	TGM150(LF) G1000	150	6.0'	80 - 1600	30	450	285	211	426	8	22
805808	TGM200(LF) G650	200	8.0'	50 - 1000	30	600	340	266	470	12	26
805809	TGM200(LF) G1600	200	8.0'	130 - 2500	30	600	340	266	470	12	26

## FREQUENTLY ASKED QUESTIONS

**Q: What standard are the GOLDi manufactured to and are they suitable for billing purposes ?**

**A:** GOLDi's are manufactured to ISOEN9951 and are suitable for billing or energy management applications

**Q: What fittings are required ?**

**A:** All GOLDi Turbine gas meters are flanged to the standard PN16 flange size



**Q: Is pressure loss a problem ?**

**A:** GOLDi Turbines have the smallest pressure losses in the industry

**Q: How accurate are they ?**

**A:** Dependant on flow rates and pipe size they can have accuracy upto 1%

**Q: I am installing pipe work next to a wall, which way round is the head ?**

**A:** It doesn't matter as the GOLDi has a 'unique' 340° rotating head

**Q: The GOLDi needs to be connected to a Building Management or Automatic Meter Reading System for remote reading and does it have a pulsed output facility ?**

**A:** Yes, a pulsed output is fitted as standard and it dispatches 1 pulse per 1m<sup>3</sup>. Additionally, we can offer the following outputs.



Efi  
MODBUS  
CONVERTER



SHARA 100  
M-BUS  
CONVERTER

**Q: Is the GOLDi Turbine Gas Meter easy to install ?**

**A:** Yes, it is small and relatively lightweight, when being installed into existing pipework we recommend using FLEXiREXi, flexible connectors.

Awkward  
Location ?

Need an  
EASY  
installation ?

Difficult  
Access ?

## You NEED a FLEXiREXi

Flexible Bellow and Thermal Expansion Compensator



**Q: Can the GOLDi be installed in a horizontal or vertical position ?**

**A:** Both, as long as the flow is in the direction of the arrow marked on the meter body.