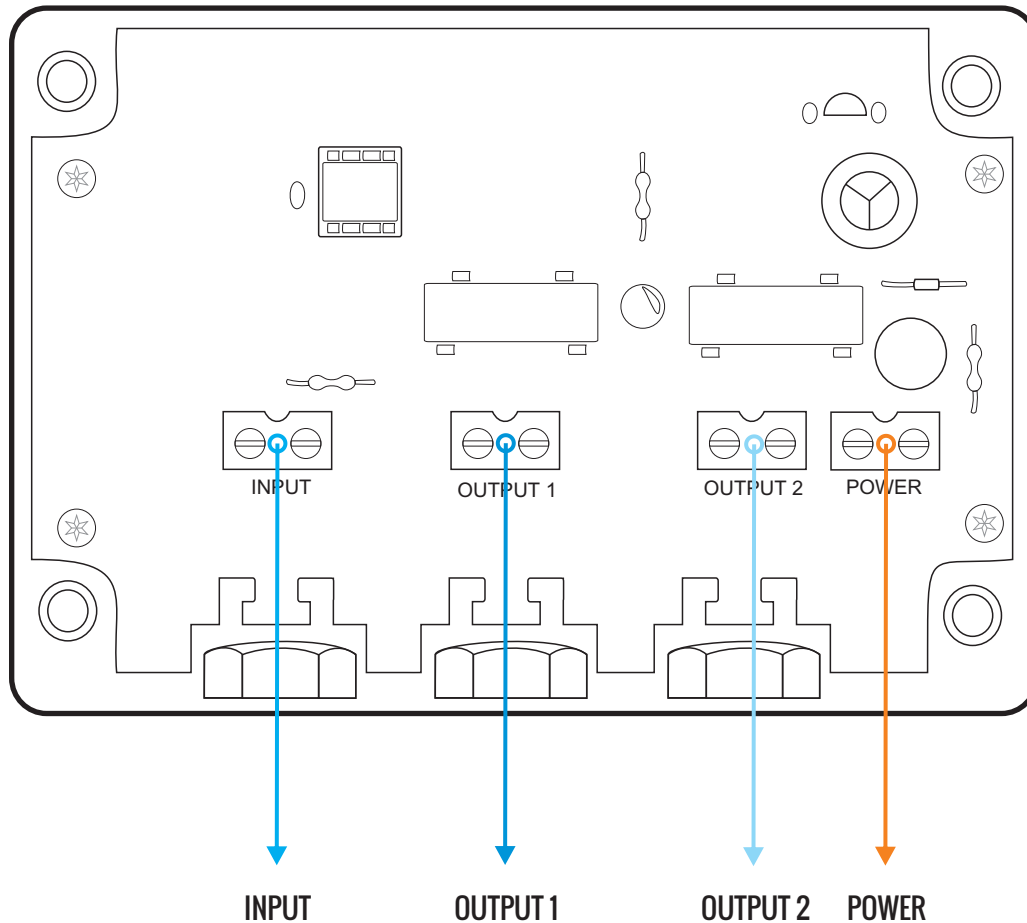


PULSE SPLITTER

POWERED SPECIFICATION • POLARITY INDEPENDENT OUTPUT • RELAY ISOLATED



Power Supply : 7v to 30v AC or DC
 Clamp Limit : 30 Volts
 Fuse : 500 mA
 Maximum Input Current : 25 mA
 Power Drawn When Pulsing : 0.5 watts
 Stand-by Current : 3 mA

Minimum input pulse width : 10 mSecs
 Isolation Voltage : 2500 volts

Maximum Voltage Output : 300 Volts
 Maximum Switching Current : 0.5 amps
 Maximum Switching Power : 10 watts

Operate & Release Time : 1 mSec
 Outgoing Pulse Width : 50 mSecs

ORDER CODE: 407001