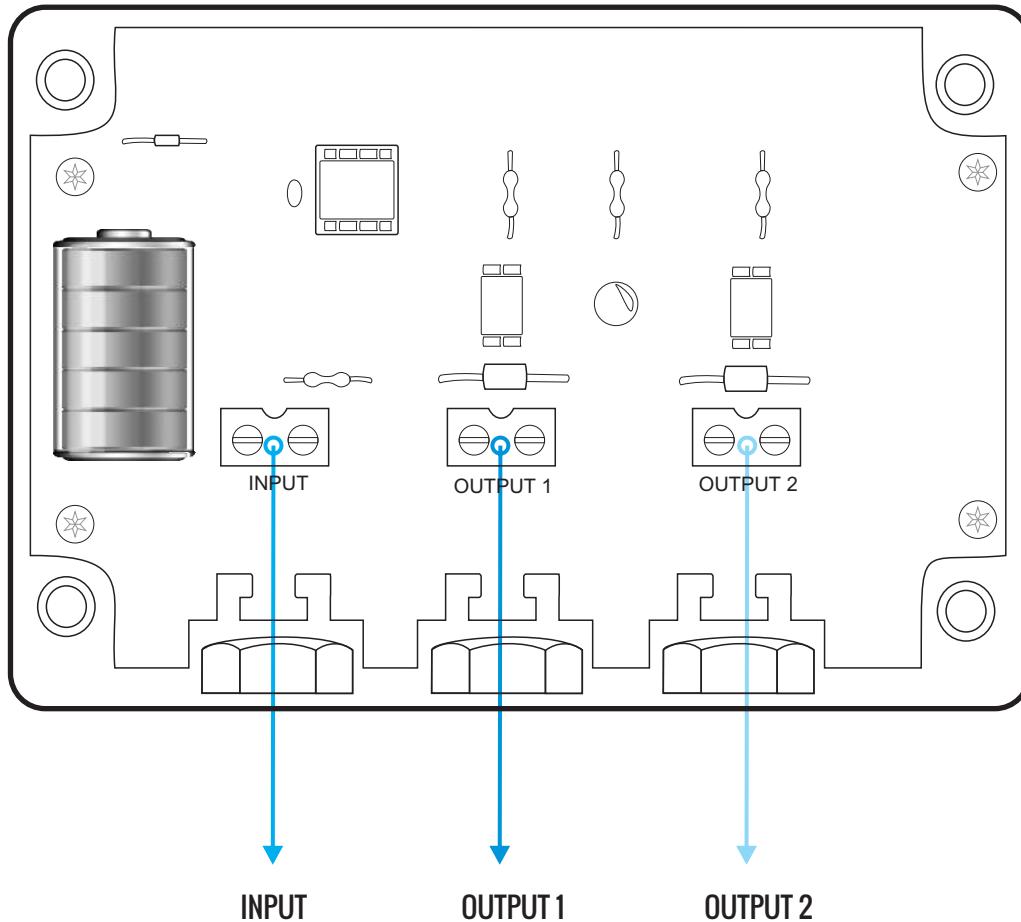


PULSE SPLITTER

BATTERY SPECIFICATION • POLARITY INDEPENDENT OUTPUT • OPTO ISOLATED



Battery : 3.6 vdc; 1.2 ah Built in
 Cell life : 3 years based on 1 pulse/sec constantly
 Power Drawn When Pulsing : 8 mW
 Stand-by Current : 100 nA

Minimum input pulse width : 10 mSecs
 Isolation Voltage : 5000 volts

Maximum Voltage Output : 43 Volts
 Maximum Switching Current : 15 amps
 Maximum Switching Power : 100 mW

Operate & Release Time : 50 uSec
 Outgoing Pulse Width : 50 mSecs

ORDER CODE: 407002