

BUDGET SINGLE JET DRY DIAL METER 15MM - 40MM

The budget water meter is a single-jet turbine meter with dry dial counter suitable for a variety of metering applications such as:

- Caravan Park Installations
- Student Accommodation
- Office Building Sub-Division
- Ornamental Pond Filling
- Commercial Kitchen Monitoring
- Metering of cold potable and hot water



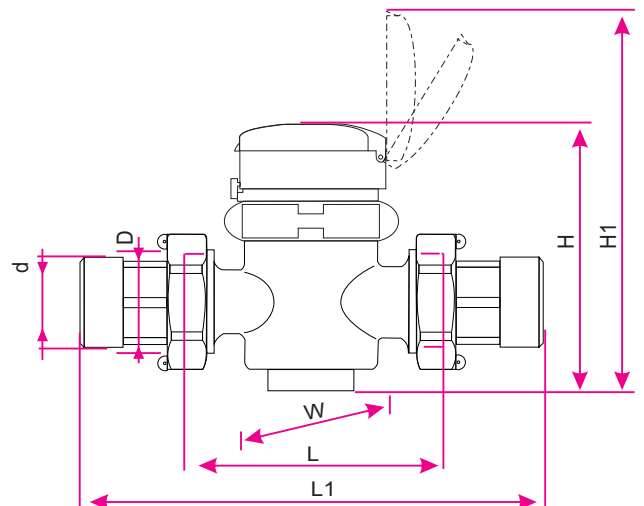
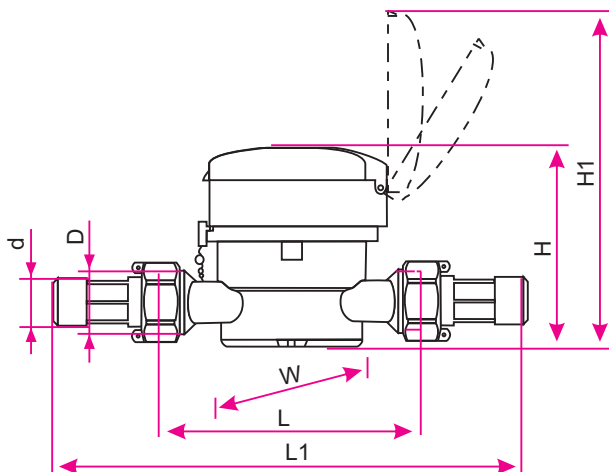
KEY FEATURES

- Single-Jet impeller meter type
- All the materials in contact with water, consciously selected by the known resistance to corrosion
- Body material of water meter is brass
- Cold water meter under current standard for lower than 30c (T30), but the Budget Water Meter can be used safely in water temperature up to 50c (T50)
- Hot water meter under current standard flow lower than 90C (T90)
- Maximum working pressure is 16 bar
- The rotary indicator register for the most comfortable reading position is 8 rollers and 1 pointer
- The impeller is the only moving part in contact with water giving the most reliable reading
- The application of a magnetic protection to guard against external influences
- Swivel dial of 360° ensuring accurate reading wherever the meter is sited
- BSP fittings supplied with nuts, tails and washers
- MID compliant – TCM 142/11 4854 – suitable for monitoring and billing purposes
- Approved: EN14154+A1+A2; OIML R-49:2006(E)

Standard Dial Rotates 360°



DIMENSIONS



DIMENSION SIZES

Budget Cold	302003	302004	302005	302006	302007
Budget Hot	302009	302010	302011	302012	302013
Size Metric	DN15	DN20	DN25	DN32	DN40
L	80	130	160	160	200
L1*	174	234	280	284	331
D	G3 / 4B	G3 / 4B	G1B	G1-1 / 4B	G2B
d	R ½	R ¾	R 1	R 1.¼	R 1.½
H	84.5	84.5	106	106	123
H1	145.5	145.5	167	167	184
W	81.5	81.5	84	84	110

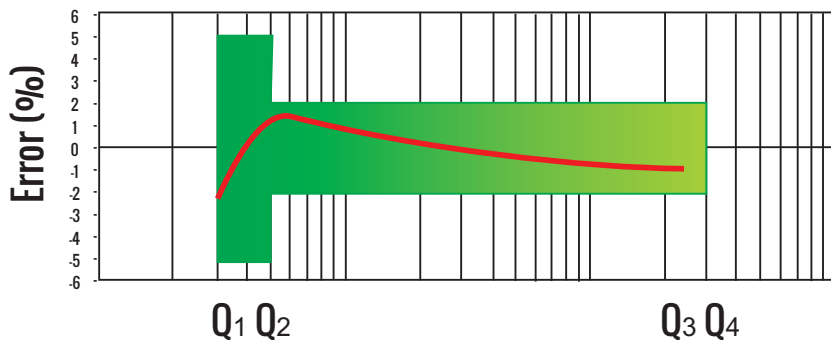
L1*: the total length with connection and the gasket without compression

TECHNICAL DATA

SIZE	DN	DN15	DN20	DN25	DN32	DN40
R	Q3 / Q1		R80 for Horizontal Installation			
Q4	m ³ /h	3.125	5	7.875	12.5	20
Q3	m ³ /h	2.5	4	6.3	10	16
Q2	l/h	50	80	126	200	320
Q1	l/h	31.25	50	78.75	125	200
Max. Reading	m ³			99999.9999		
Min. Reading	Litre			0.02		
Pressure Loss	ΔP			ΔP <63 at Q3		
Max. Pressure	MAP			MAP16		
Max. Temperature	T		T30 or T50 or T90 or T30/T90			

MAX. PERMISSION ERROR

From Q1 inclusive up to be excluding Q2 is +/- 5%
 From Q2 inclusive up to and including Q4 is +/- 2% for T30 and +/- 3% for > T50;



PULSED VERSION

- The pulsed version consists of a plastic housing with Reed Switch and 1.5m cable with 2 cores in red and black
- Electric Data: Vmas = 24 AC/DC, I_{max} - 0.01A
- Capacity of the pulse output pre-equipped

