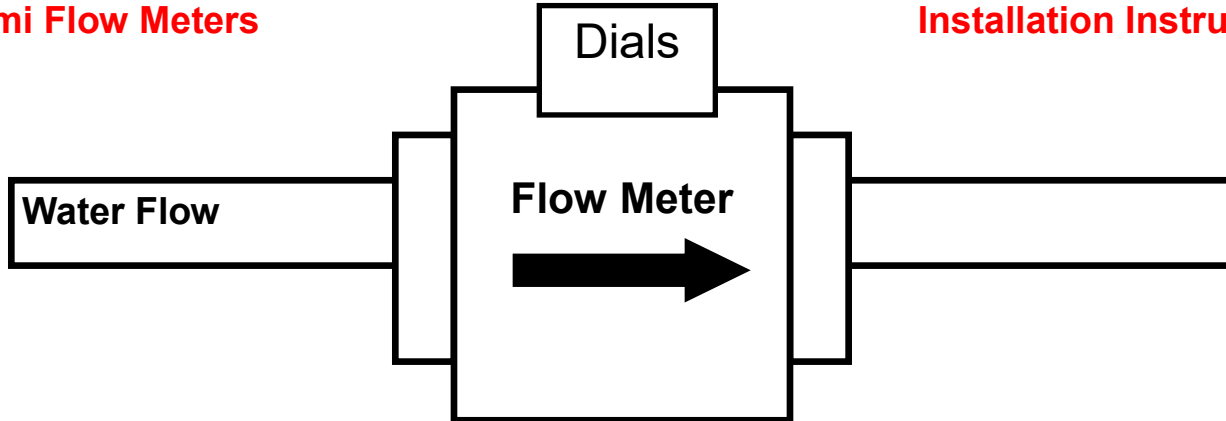


**Tomi Flow Meters**

**Installation Instructions**



**Installation**

- Maximum operating temperature 40c cold—90c hot
- Straight pipe requirement x 5 each side of the flow meter
- Ensure that pipes are free from any debris
- Ensure water flow and arrow on meter are in the same direction
- Suitable for horizontal or vertical installation (water flow in vertical installation must be downwards only—or a fully filled system)
- Flow meters should not be installed at an angle or upside down
- Meters must be covered by insulation appropriate to their location
- Where manual readings are required it is recommended that thermal jackets are used

**Guarantee**

The company guarantees the product for a minimum of one year. The guarantee is strictly on a return to base basis and subject to the Company Terms and Conditions of sale. [www.meters.co.uk/termsandconditions.htm](http://www.meters.co.uk/termsandconditions.htm)

**Pulsed Output**

- Volt Free (maximum voltage to be introduced 12vdc)
- Black = pulse 1 (-) to the—pulse input terminals of your equipment
- Red = pulse 2 (+) to the + input terminal of your equipment

**Pulse Value Tomi Meters**

**Size**

**Pulse Value**

15mm/1/2"	1 pulse per 1 litre
20mm/3/4"	1 pulse per 1 litre
25mm/1"	1 pulse per 1 litre
30mm/1.1/4"	1 pulse per 10 litres
40mm/1.1/2"	1 pulse per 10 litres
50mm/2"	1 pulse per 100 litres

### Extended Pulse Cables

Available in the following lengths

- 5 metres
- 10 metres
- 20 metres
- 100 metres



### Thermal Jackets

#### Specification Details

- Inner & Outer Cloth – PE Poly Cloth Weight 400g/m<sup>3</sup>
- Infill – 25mm thick cellular Insulation U value W/m<sup>2</sup>K
- Fixings & Fastenings – Velcro Hook & Loop Flaps with draw cords

